

J | GEIGER

ARCHITECTURALLY CONSCIOUS SHADING



JGEIGERSHADING.COM



ARCHITECTURALLY CONSCIOUS SHADING SYSTEMS

Accentuate the architectural aesthetic of your space with fascia-free, motorized window shades. Designed to conceal unsightly wires and screws, J Geiger systems have a uniquely minimalist look that can be customized to fit any interior.



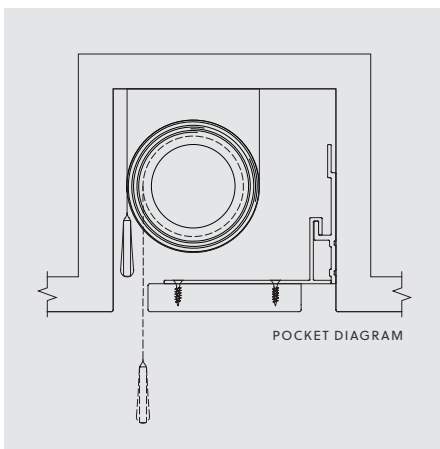
R Series Shading System | Five shades powered by two motors. No visible wires or screws.

R SERIES

The R Series Shading System is designed with elegance in mind. Wires and screws are concealed within the system, eliminating the need for valances, fascia, and ceiling pockets. The system features proprietary hardware that can be installed inside a window jamb for a low-profile look or floating outside a window casing as part of a curtain wall.

Hardware Specs:

Milled from solid aluminum
Available in custom colors



P SERIES

The P Series Shading System features a patented, floating pocket cover that minimizes visual discrepancies between the ceiling finish and the pocket surface. Pocket cover is paintable. Two sets of shades (one sheer and one blackout) can be installed if privacy options are desired.

POWER & CONTROL

WIRED MOTORS

Wired motors can be seamlessly integrated with Savant, Crestron, Lutron, Control 4, and other home control systems. For homes and businesses without control systems, wired motors can be linked to a keypad, remote, app, or voice-controlled hub.

WIRE-FREE RECHARGEABLE MOTORS

Wire-free rechargeable motors can operate over a year on a single charge. Battery life will depend upon shade size and use. Motor and shade remain intact while charging; there's no external battery pack and no need to remove batteries. Wire-free motors can be linked to keypad, remote, or voice-controlled hub.

FABRIC

With hundreds of fabrics to choose from, you are sure to find something that suits your unique light control, visibility, and privacy needs.

SHEER FABRIC

Sheer fabric diffuses light and permits visibility even when the shades are closed. Varying levels of visibility are available. This option is ideal for rooms where light control is required but complete privacy is not.

TRANSLUCENT FABRIC

Translucent fabric obscures visibility and offers a greater level of privacy than sheer fabric. Natural light is still allowed in when the shades are closed. This option is suitable for spaces that require ambient light, UV protection, and privacy.

BLACKOUT FABRIC

Blackout fabric provides total privacy, reduces solar heat gain, and blocks all light. Light is, however, permitted around the shade edge. If light gaps are a concern, please address this with your local representative.



Pictured left to right: Sheer, Translucent, Blackout